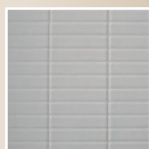




Colours & Styles*

Floor

Wall



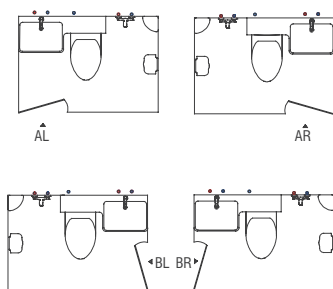
Iony Light Grey



White/grey steel fleck design



Orientation Options



Product Details

Product Name	Seahorse
Product REF	C1811014
Product Width	1250mm
Product Length	1750mm
Product Height	2200mm
Wall Height	2000mm
Ceiling Height Required (minimum)	2300mm
Shaft Available for Utility Service 300mm x 800mm	No
Door Threshold	160mm
Pod Weight (nett)	116kg
Pod Floor Area	2.18m²
Pod Volume	5.25m³

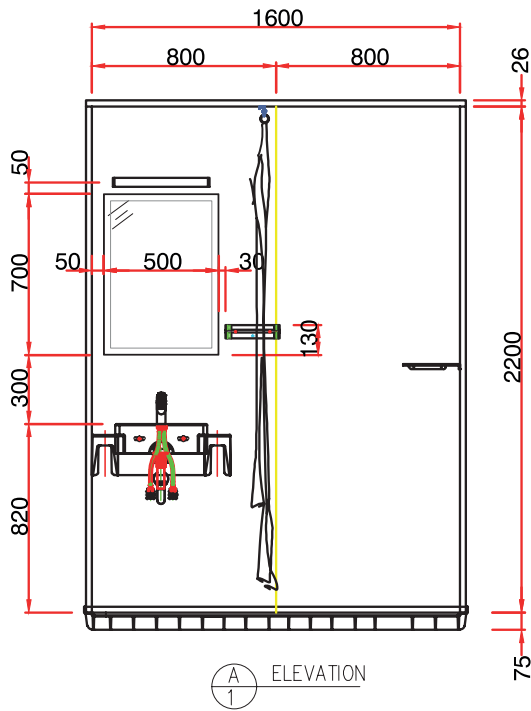
- The images above are representational only. Not all fixtures & fitting are included. Please refer to your official quotation.
- See door & sanitaryware locations available (left).
- Door frame not supplied. Door not included.
- Other upgrade wall designs available*.

*see decorative panel options and pricing on www.modular-pods.com

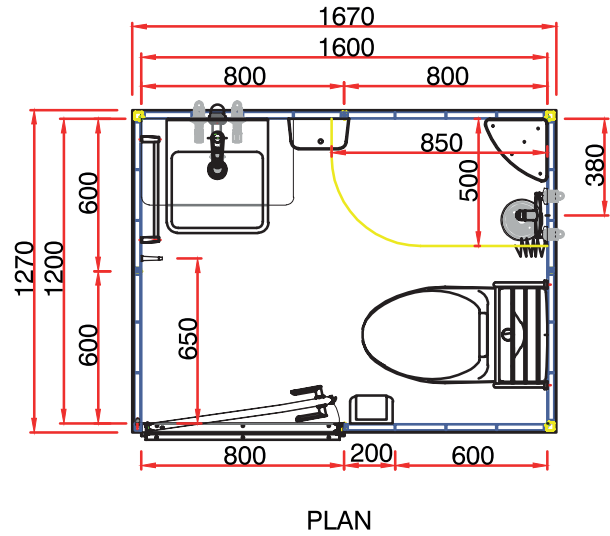
Bathrooms become simple with Modular Pods



Elevation



Plan



Orientation measurements for all internal fixtures & fittings are generic [GA] and not specific to a customer's bespoke requirements.

Optional Fixtures & Fittings



ITEM	UNITS	PRODUCT DESCRIPTION	MAKE & SPECIFICATION	PART N°
1	1	Thermostatic Shower	ThermoForcel Round Shower	S1901
2	1	Shower Mixer base plate-internal	Chrome wall plate	S1902
3	1	Hand Basin - white	450x360x110	S1903
4	1	Hand Basin - semi pedestal -white	180x450x180	S1904
5	1	Hand basin Mixer tap	Hot/cold tap with clicker waste	S1905
6	1	Dual flush Toilet with SC seat & cistern	345x610x390	S1907
7	1	Shower drain & trap	Waste trap 90mm + kit	S19014
8	1	Basin drain & trap	Basin Trap	S19015
9	1	Glass shelf	475x48x135	S19016

Contemporary decorative wall panels (100% waterproof) can be added to Pod interior to upgrade from utility to premium level design. Including marble, tile, wood & quartz effect. Option available on request.

Bathrooms become simple with Modular Pods